



46" Square Fire Pit • 2-Course Design • WOOD-BURNING

General Note:

In consideration of freeze / thaw issues during the cold weather season it is recommended that this outdoor Square Fire Pit element be protected from rain, snow and ice as necessary.

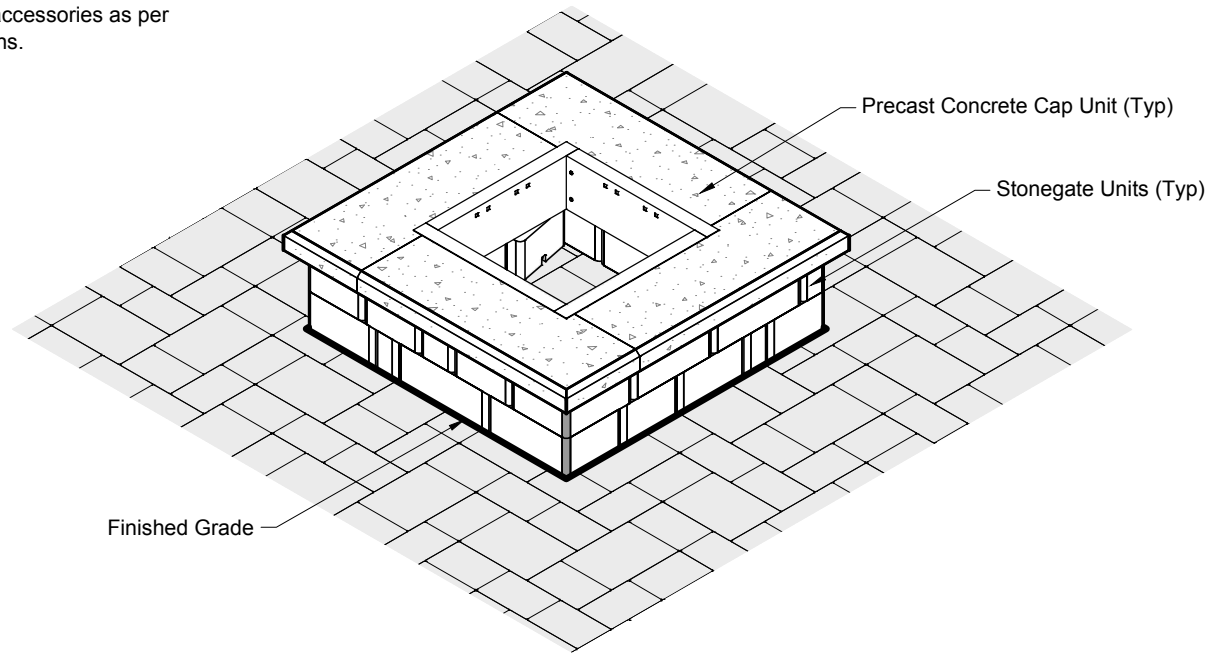
Square Fire Pit Quantity Totals:

Units quantities as follows:

- Large Unit "A" - 16"/14" = 9 Units
- Medium Unit "B" - 12"/10" = 10 Units
- Small Unit "C" - 6"/4" = 9 Units
- Precast Concrete Cap Units = 4
- Steel Fire Pit Insert = 1

Accessories Note:

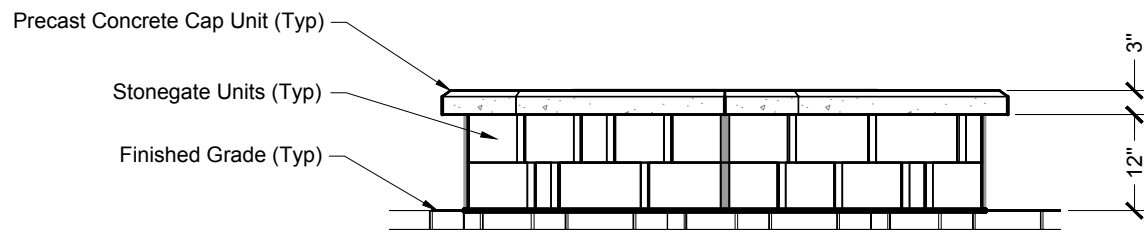
Install vents, burner assembly and accessories as per manufacturers installation instructions.



Square Fire Pit Isometric



46" Square Fire Pit • 2-Course Design • WOOD-BURNING

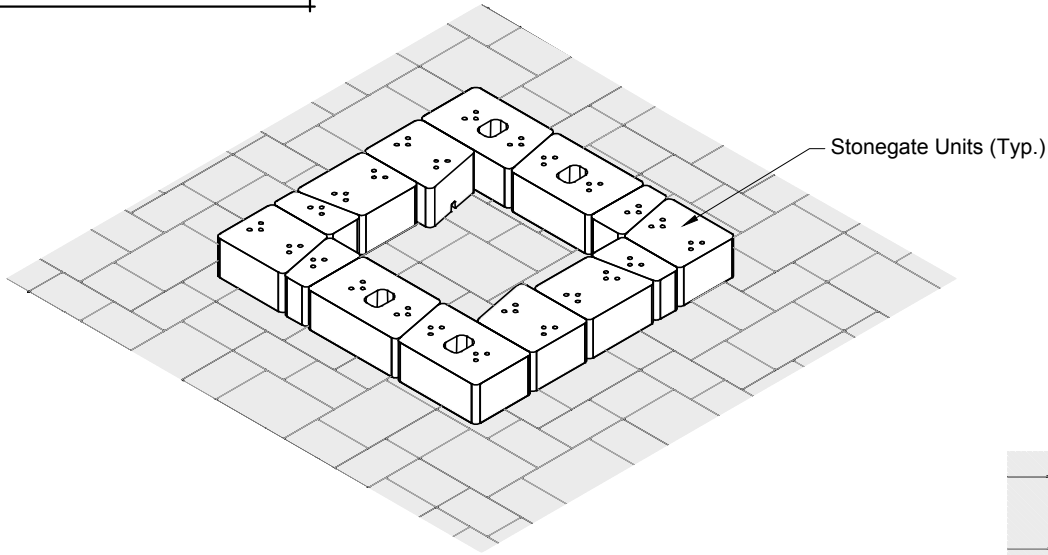


Square Fire Pit Front Rotated Isometric



46" Square Fire Pit • 2-Course Design • WOOD-BURNING

1st Course Isometric

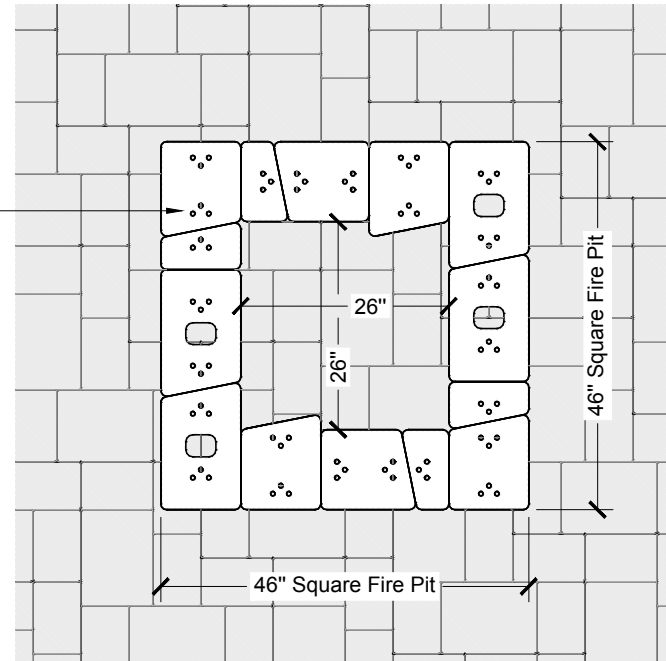


Ventilation Note:

The burner assembly manufacturer may recommend ventilation of the interior fire pit area from a potential gas build up. Two blocks from the 1st course have been removed for at grade ventilation. Small animal screen inserts have been supplied to place in the removed block open areas.

1st Course Plan

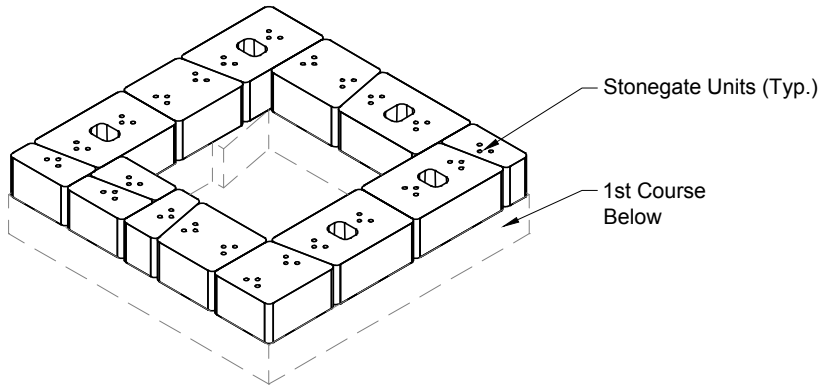
Stonegate Units (Typ.)



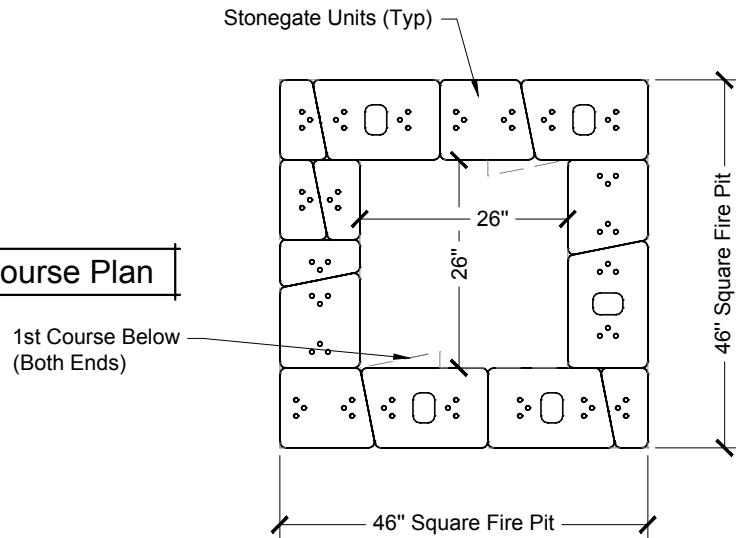


46" Square Fire Pit • 2-Course Design • WOOD-BURNING

2nd Course Isometric



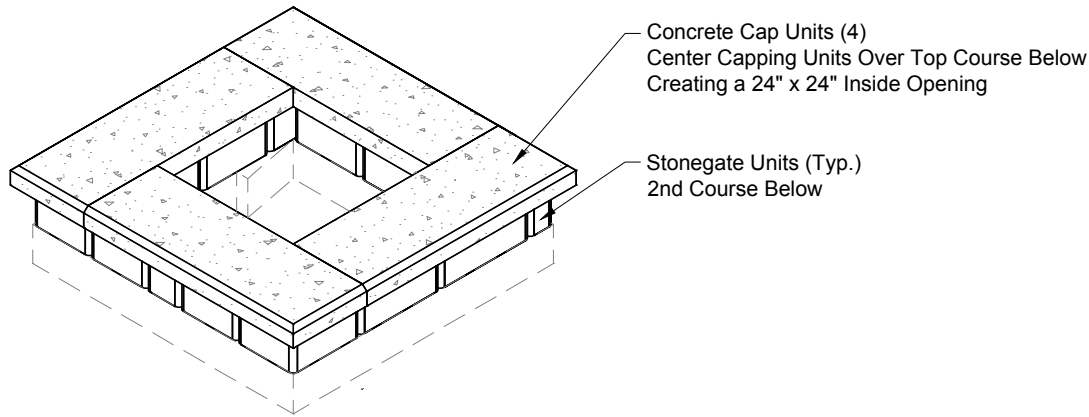
2nd Course Plan





46" Square Fire Pit • 2-Course Design • WOOD-BURNING

2nd Course
Capping Isometric



Concrete Cap Units (4)
Center Capping Units Over Top Course Below
Creating a 24" x 24" Inside Opening

Stonegate Units (Typ.)
2nd Course Below

Concrete Cap Unit Note:

This square fire pit design uses precast concrete cap units. Unit dimensions are as follows:

Concrete Cap Unit:

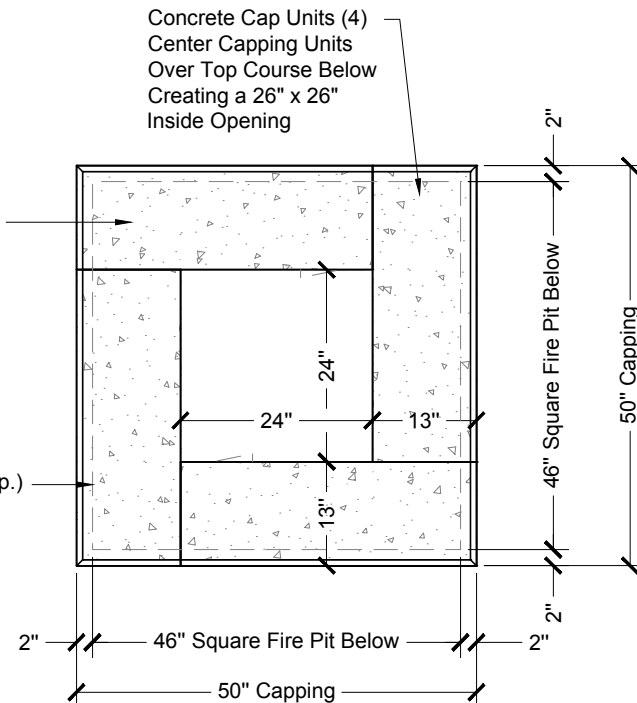
- Cap Unit is 13" in depth / 37" in length / 3" in height

Install and secure concrete cap units with adhesive as per manufacturers installation instructions.

Concrete Cap Units (4) - Center Capping Units
Over Top Course Below Creating a 24" x 24"
Inside Opening

2nd Course
Capping Plan

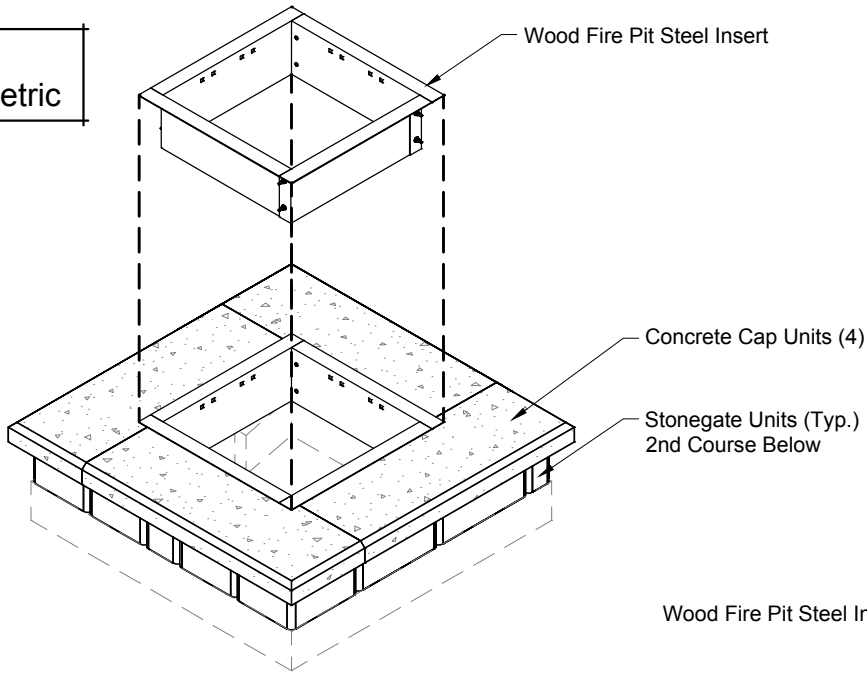
Stonegate Units (Typ.)
2nd Course Below





46" Square Fire Pit • 2-Course Design • WOOD-BURNING

Steel Insert
Installation Isometric



Fire Pit Steel Insert Note:

After concrete cap units are secured to the top course of block units, assemble and secure the fire pit insert in the opening with top lips of the insert resting on top of the concrete caps as per manufactures installation instructions.

Steel Insert
Installation Plan

